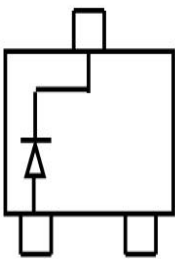
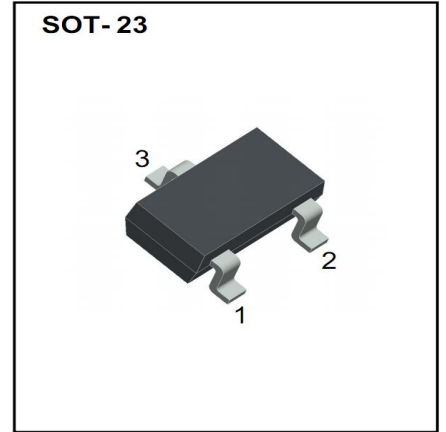


SOT-23 Plastic-Encapsulate Diodes

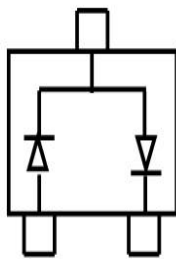
BAS70/-04/-05/-06 Schottky Diodes

FEATURES:

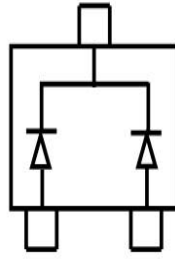
- Low Forward Voltage
- Fast Switching
- Also available in lead free version



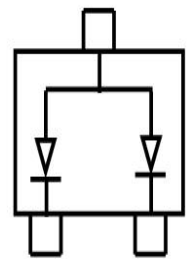
BAS70 Marking: 73



BAS70-04 Marking: 74



BAS70-05 Marking: 75



BAS70-06 Marking: 76

Solid dot = Green molding compound device, if none, the normal device.

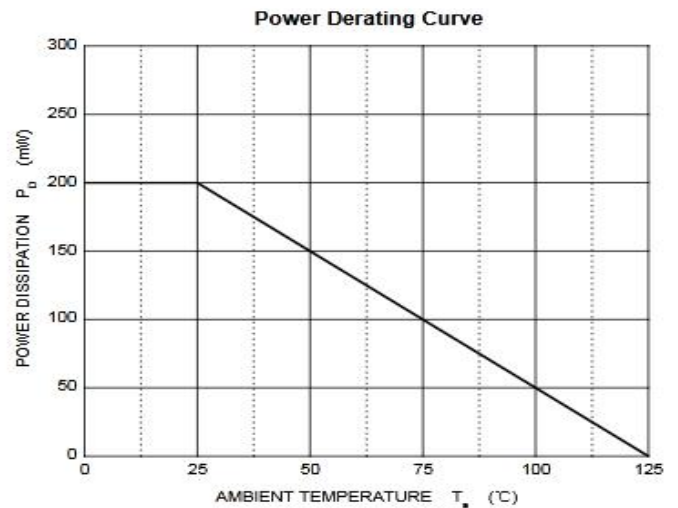
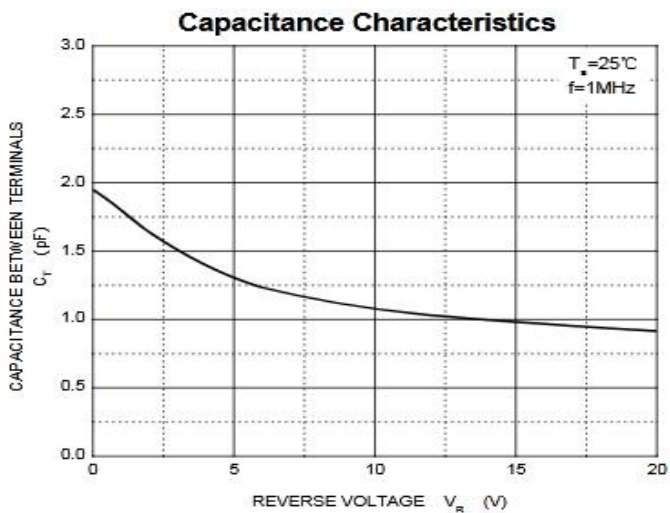
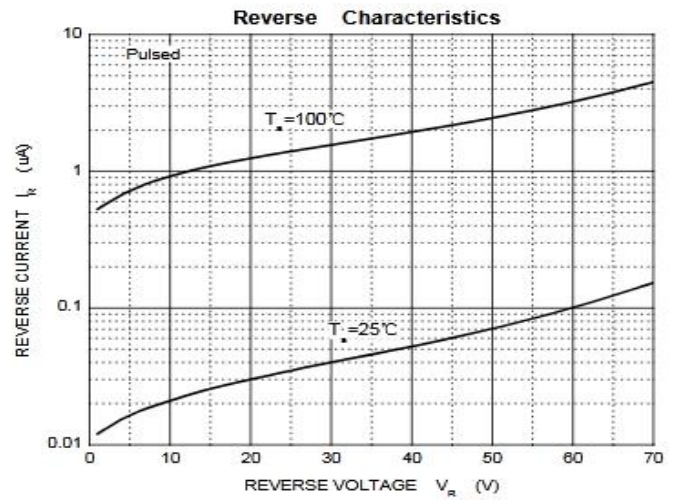
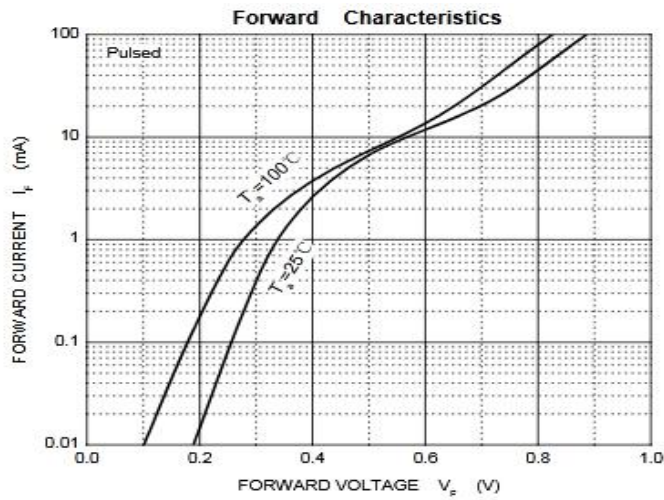
Maximum ratings (@Ta=25°C)

Parameter	Symbol	Limit	Unit
DC Blocking Voltage	VR	70	V
Forward Continuous Current	IFM	70	mA
Average rectified output current	Io	70	mA
Non-Repetitive Peak Forward Surge Current @t=8.3ms	IFSM	100	mA
Power Dissipation	PD	200	mW
Thermal Resistance from Junction to Ambient	RθJA	500	°C/W
Junction Temperature	TJ	150	°C
Storage Temperature Range	TSTG	-55~+150	°C

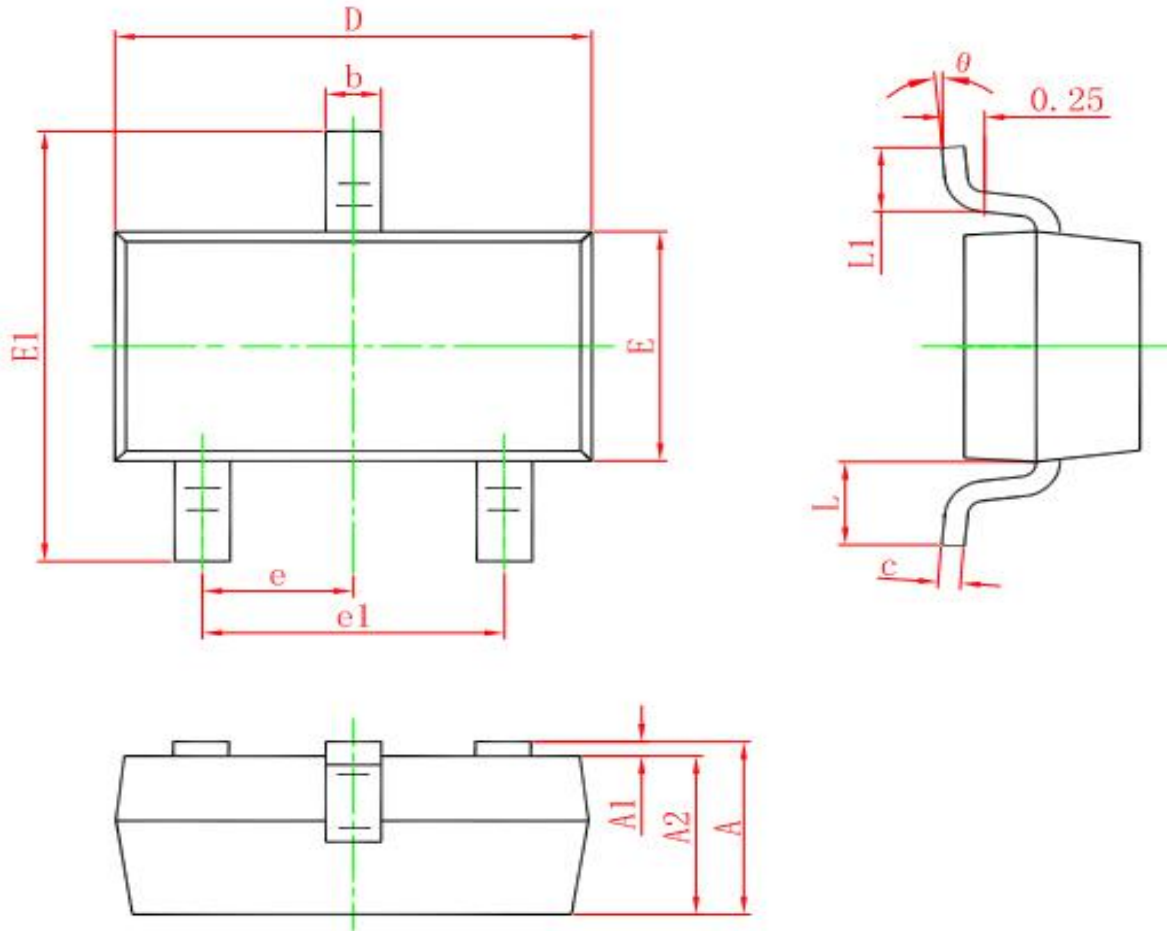
Electrical Characteristics (@Ta=25°C unless otherwise specified)

Parameter	Symbol	Test Condition	Min	Typ	Max	Unit
Reverse breakdown voltage	V(BR)	IR=10μA	70			V
Forward voltage	VF1	IF=1mA			410	mV
	VF2	IF=15mA			1000	mV
Reverse voltage leakage current	IR	VR=50V			100	nA
Diode Capacitance	CD	VR=0V,f=1MHz			2	PF
Reverse recovery time	t _{rr}	IF=IR=10mA, Irr=1mA, RL= 100Ω			5	nS

Typical Characteristics



SOT-23 PACKAGE OUTLINE DIMENSIONS



Symbol	Dimensions In Millimeters		Dimensions In Inches	
	Min.	Max.	Min.	Max.
A	0.900	1.150	0.035	0.045
A1	0.000	0.100	0.000	0.004
A2	0.900	1.050	0.035	0.041
b	0.300	0.500	0.012	0.020
c	0.080	0.150	0.003	0.006
D	2.800	3.000	0.110	0.118
E	1.200	1.400	0.047	0.055
E1	2.250	2.550	0.089	0.100
e	0.950 TYP.		0.037 TYP.	
e1	1.800	2.000	0.071	0.079
L	0.550 REF.		0.022 REF.	
L1	0.300	0.500	0.012	0.020
θ	0°	8°	0°	8°