

TO-252/TO-251 Plastic-Encapsulate Voltage Regulators

**L7915** Three-terminal negative voltage regulator

**FEATURES:**

※ Maximum output current

**IOM: 1.5A**

※ Output voltage

**VO: -15V**

※ Continuous total dissipation

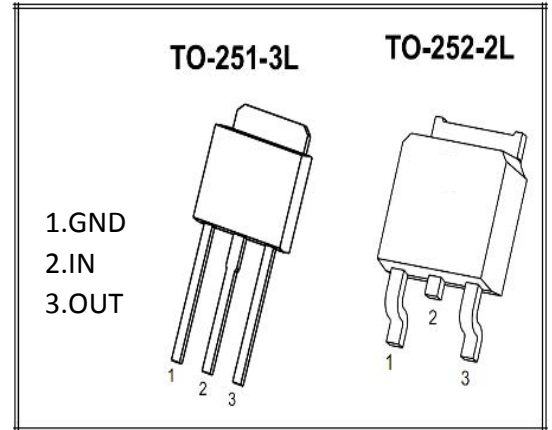
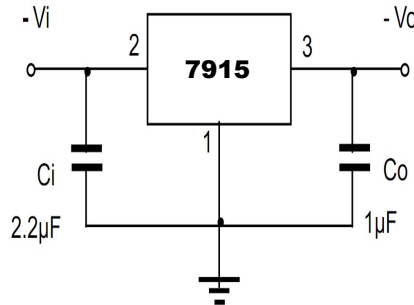
**PD: 1.25W**

**MARKING:**

**7915 D / U \*\*\*\***

logo (D→252) / (U→251) \*\*\*\*→Date

TYPICAL APPLICATION:



**Absolute Maximum ratings (Operating temperature range applies unless otherwise specified)**

Parameter	Symbol	Value	Unit
Input Voltage	Vi	-35	V
Thermal Resistance From Junction to air	RθJA	100	°C/W
Operating Junction Temperature Range	TOPR	-25~+125	°C
Storage Temperature Range	TSTG	-55~+150	°C

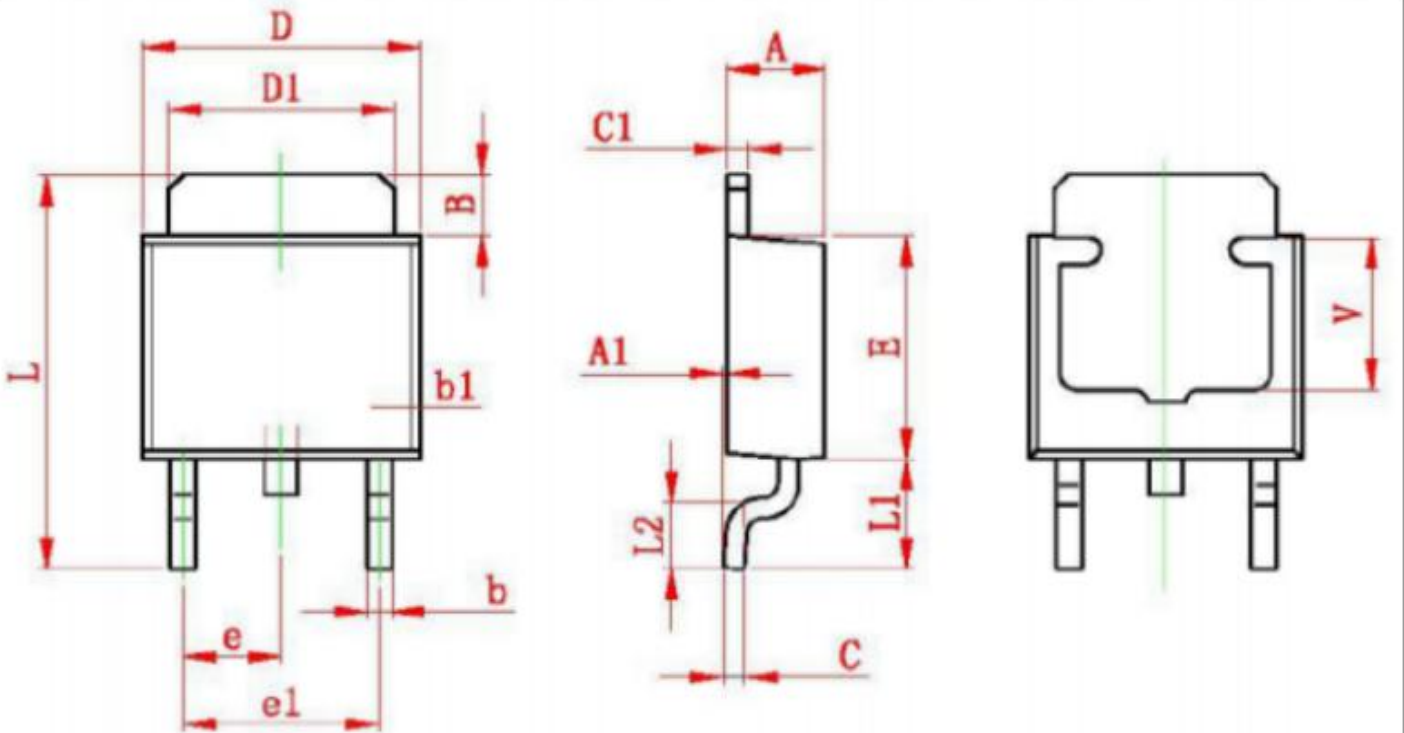
**Electrical Characteristics At Specified Virtual Junction Temperature**

(Vi=-23V, Io=500mA, Ci=0.33µF, Co=0.1µF. Unless Otherwise Specified)

Parameter	Symbol	Test Condition	Min	Typ	Max	Unit
Output voltage	VO	25°C	-14.4	-15	-15.6	V
		-18V≤Vi≤-32V, Io=5mA-1A	-25~+125	-14.25	-15	-15.75
Load Regulation	ΔVO	Io=5mA-1.5A, Vi=-23V	25°C	30	300	mV
		Io=250mA-750mA, Vi=-23V	25°C	15	150	mV
Line Regulation	ΔVO	-18≤Vi≤-32V, Io=250mA	25°C	6	100	mV
		-18V≤Vi≤-32V, Io=250mA	25°C	2	50	mV
Quiescent Current	Iq	25°C		4.2	6	mA
Quiescent Current Change	ΔIq	-18V≤Vi≤-32V, Io=250mA	-25~+125		0.8	mA
		5mA≤Io≤1A	-25~+125		0.5	mA
Output Noise Voltage	VN	10Hz≤f≤100KHz	25°C	200		µV/Vo
Ripple Rejection	Rr	-18≤Vi≤-30V, f=120Hz, Io=300mA	-25~+125	59	80	dB
Dropout Voltage	Vd	Io=1A	25°C	2	2.5	V
Short Circuit Current	Isc	Vi=-23V	25°C	250		mA
Peak Current	IPK	25°C		2.2		A
Output Voltage Drift	ΔVO/ΔT	Io=5mA	25°C	-0.9		mV/°C

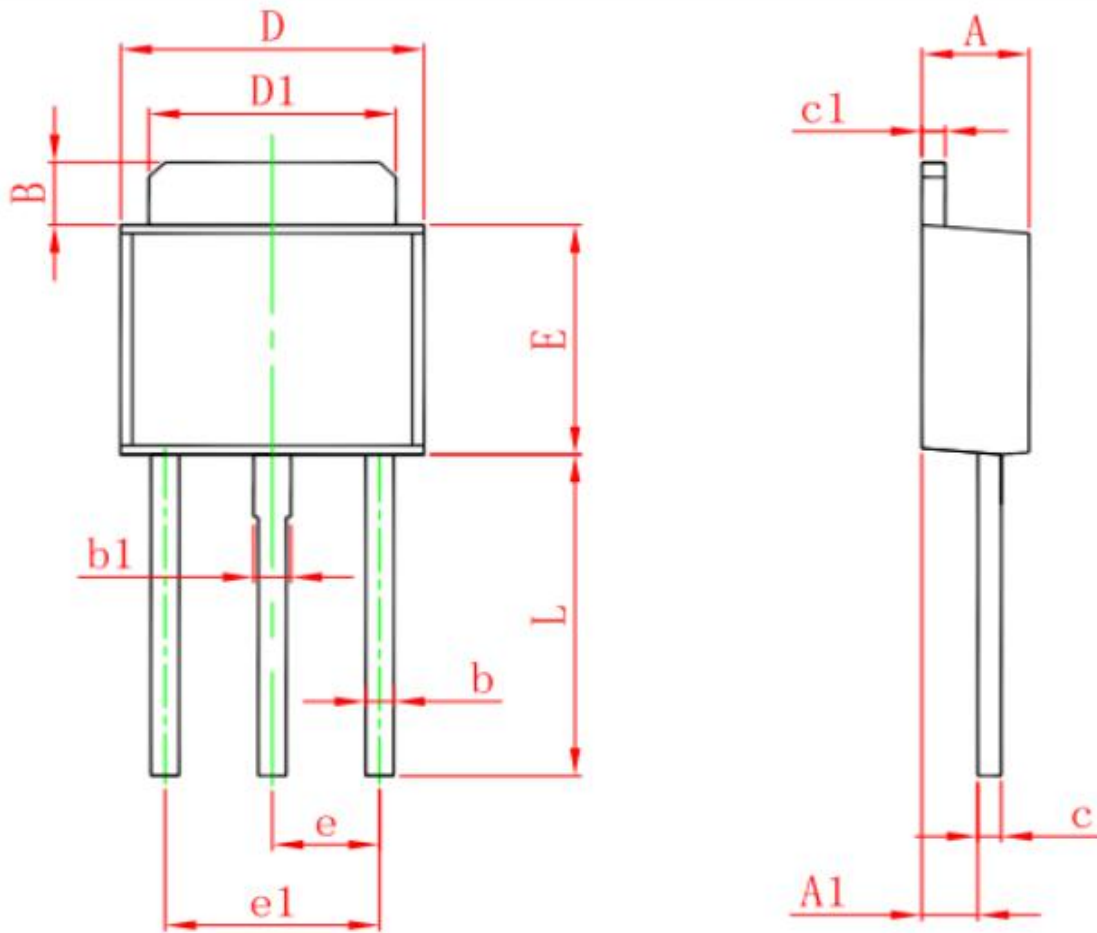
Note : Bypass Capacitors are Recommended For Optimum Stability and Transient Response and Should be located as Close as Possible to the Regulators

### Package Dimensions:



Symbol	Dimensions In Millimeters		Dimensions In Inches	
	Min	Max	Min	Max
A	2.200	2.400	0.087	0.094
A1	0.000	0.127	0.000	0.005
B	1.350	1.650	0.053	0.065
b	0.500	0.700	0.020	0.028
b1	0.700	0.900	0.028	0.035
c	0.430	0.580	0.017	0.023
c1	0.430	0.580	0.017	0.023
D	6.350	6.650	0.250	0.262
D1	5.200	5.400	0.205	0.213
E	5.400	5.700	0.213	0.224
e	2.300 TYP		0.091 TYP	
e1	4.500	4.700	0.177	0.185
L	9.500	9.900	0.374	0.390
L1	2.550	2.900	0.100	0.114
L2	1.400	1.780	0.055	0.070
V	3.80 REF		0.150 REF	

### Package Dimensions:



Symbol	Dimensions In Millimeters		Dimensions In Inches	
	Min.	Max.	Min.	Max.
A	2.200	2.400	0.087	0.094
A1	1.050	1.350	0.042	0.054
B	1.350	1.650	0.053	0.065
b	0.500	0.700	0.020	0.028
b1	0.700	0.900	0.028	0.035
c	0.430	0.580	0.017	0.023
c1	0.430	0.580	0.017	0.023
D	6.350	6.650	0.250	0.262
D1	5.200	5.400	0.205	0.213
E	5.400	5.700	0.213	0.224
e	2.300 TYP.		0.091 TYP.	
e1	4.500	4.700	0.177	0.185
L	7.500	7.900	0.295	0.311